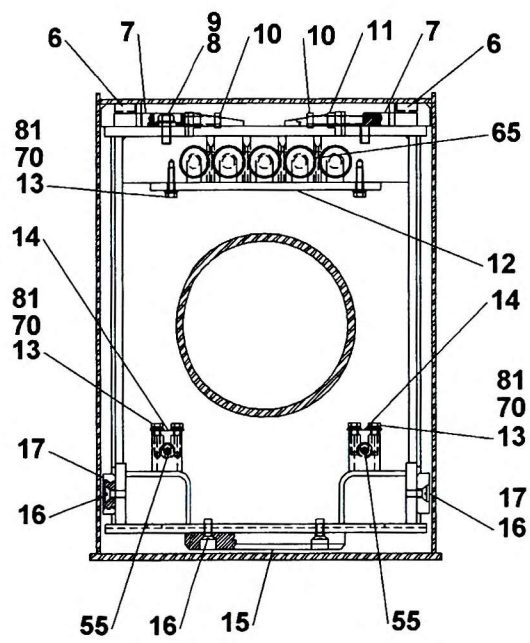
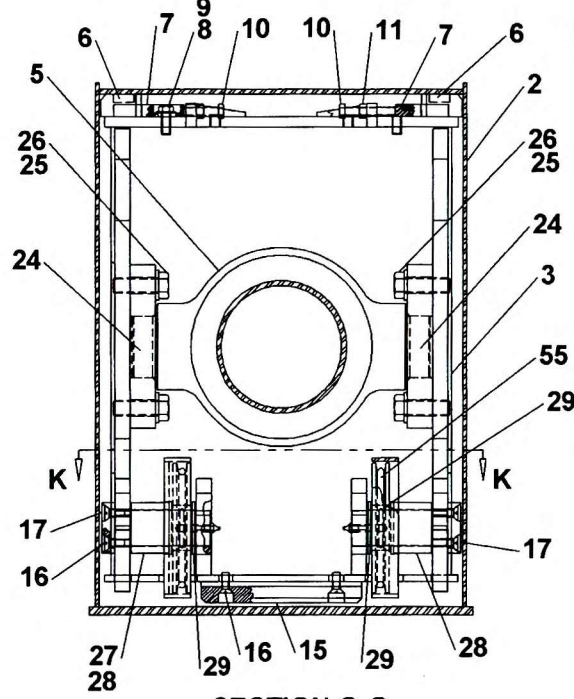


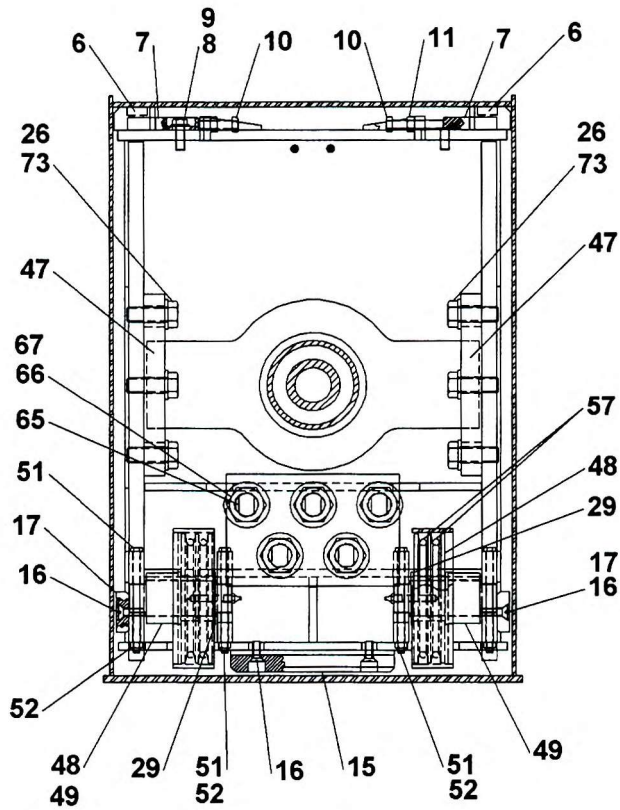
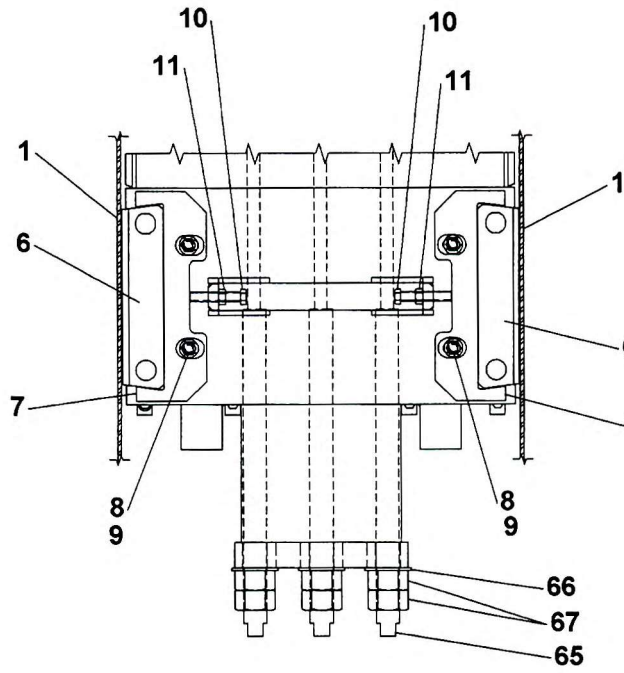
SECTION K-K



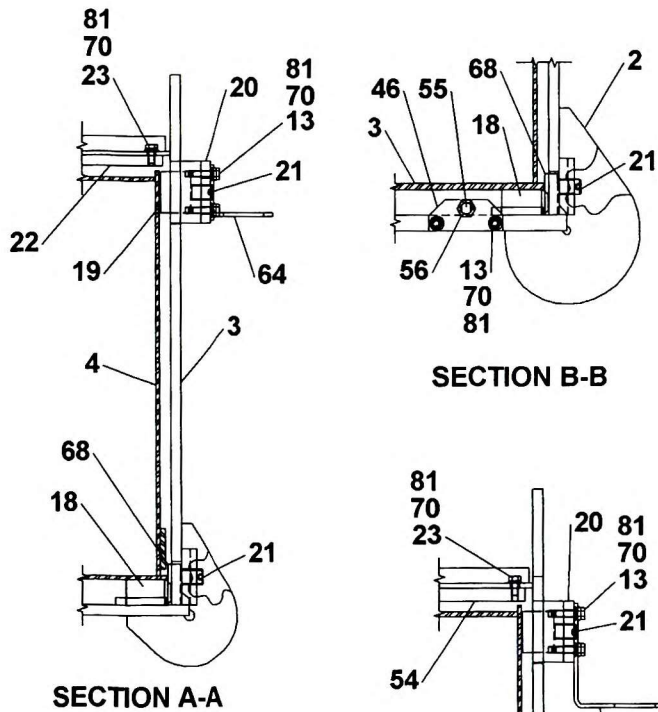
SECTION H-H



SECTION G-G
ITEMS #32, #33, #57 NOT SHOWN

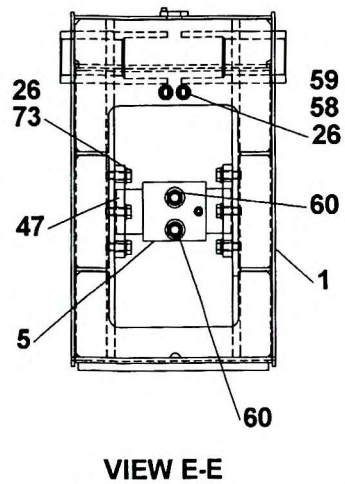


Section F-F

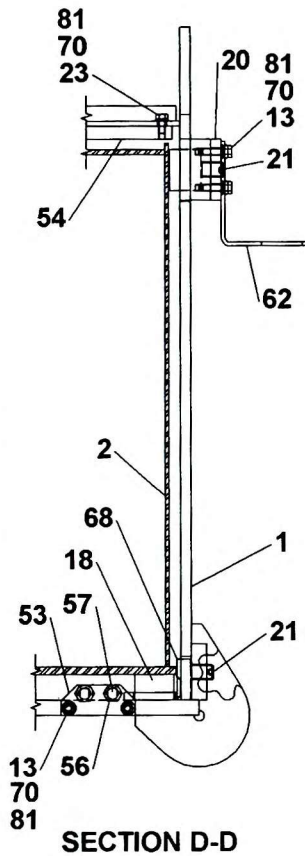


SECTION A-A

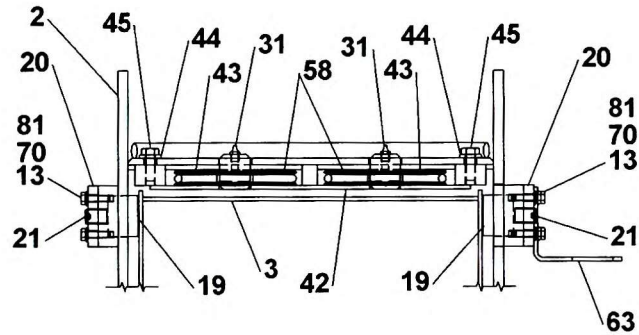
SECTION B-B



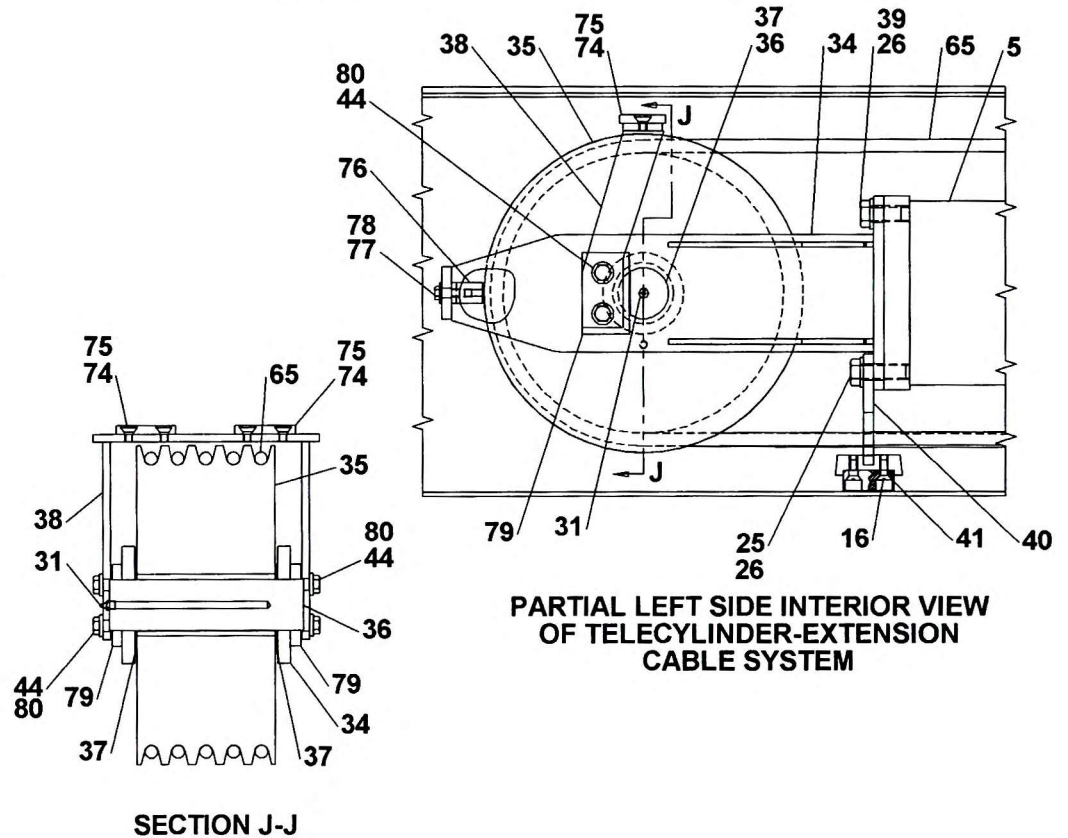
VIEW E-E



SECTION D-D

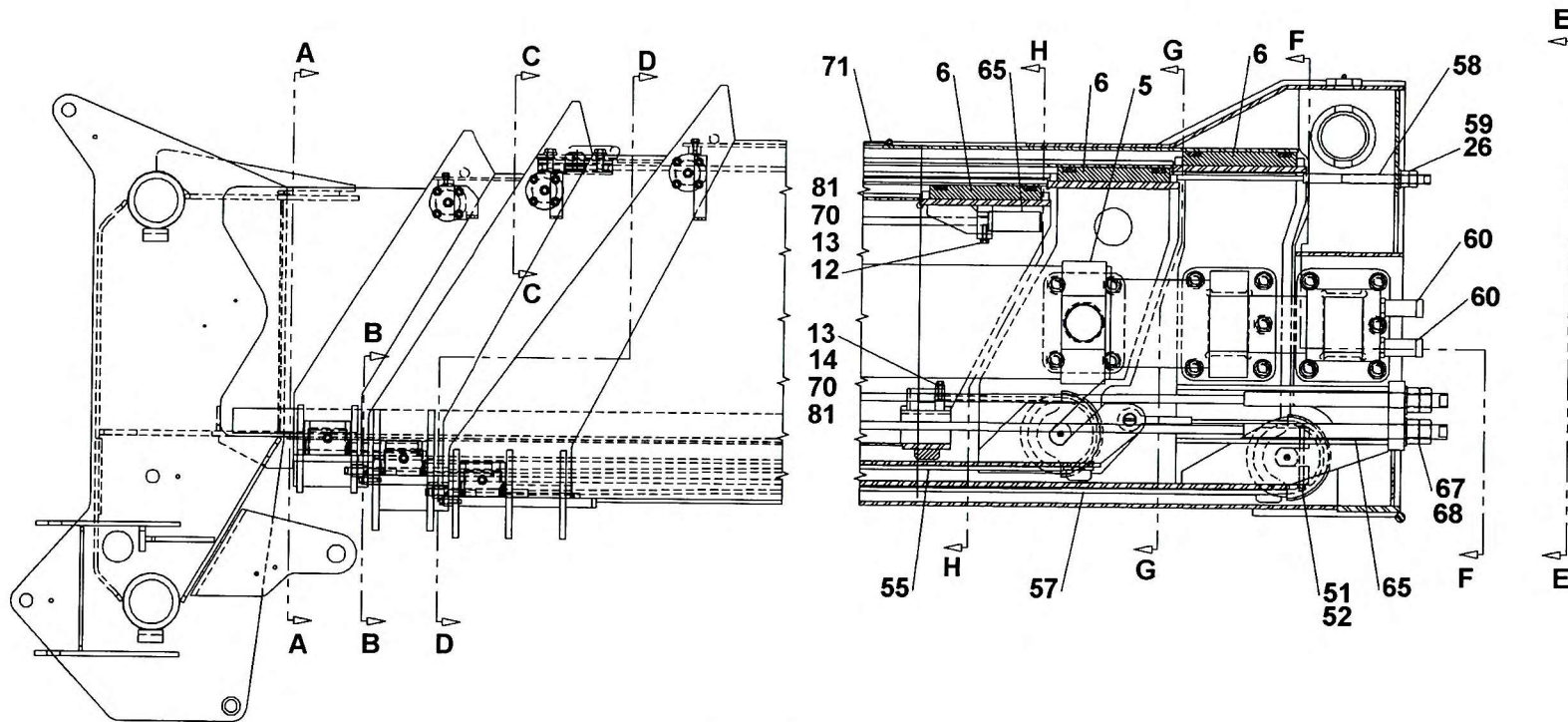


SECTION C-C



PARTIAL LEFT SIDE INTERIOR VIEW OF TELECYLINDER-EXTENSION CABLE SYSTEM

(SHEET 1 OF 5)



ITEM 300 NOT SHOWN